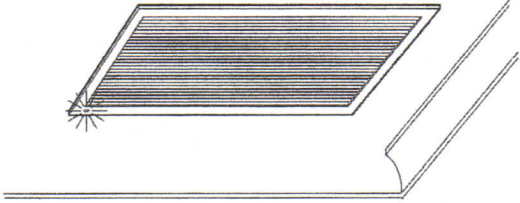


PURTECH RETURN AIR GRILLE, FILTER AND BOX MAINTENANCE INSTRUCTIONS (Page 2 of 2)

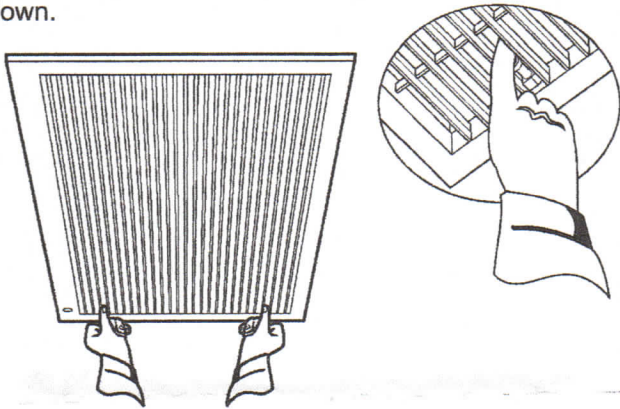
AdvantageAir

MAINTENANCE

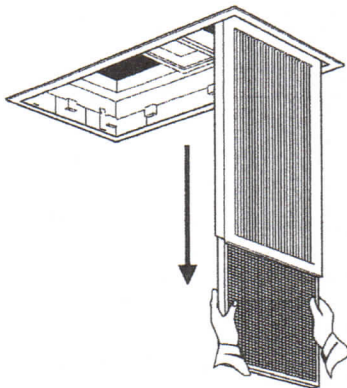
1. The filter should be cleaned at the beginning of summer each year or when the red light on frame starts flashing.



2. Switch the air conditioning unit OFF. (The light will stop flashing)
3. Unfasten the two end core clips and hinge the core down.



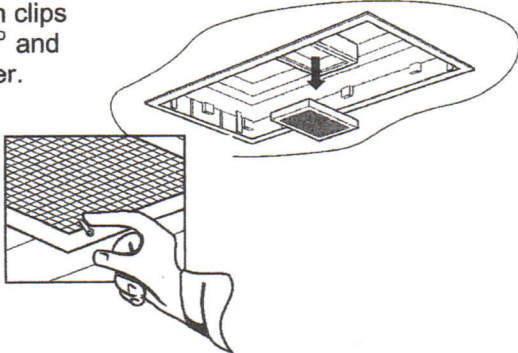
4. Slide the filter out from the core.



5. Wash in warm soapy water and rinse.

6. Dry under shade.

7. If a fresh air filter is fitted turn clips through 90° and remove filter.

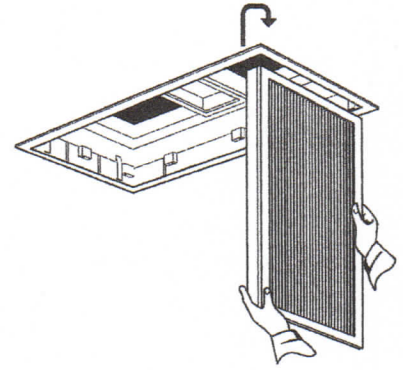


8. Wash filter in warm soapy water and rinse well.
9. Dry under shade.

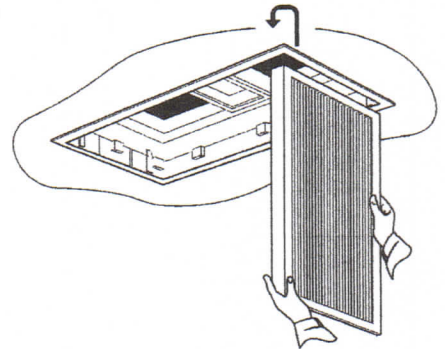
10. If the grille core requires cleaning.

11. Lift and unclip core.

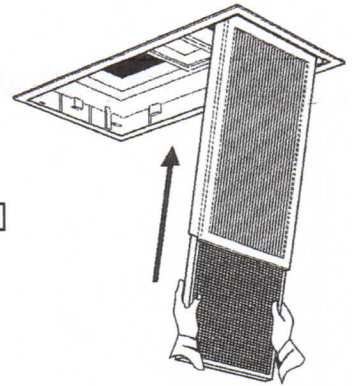
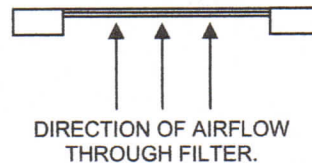
12. Wash in warm soapy water, rinse and dry.



13. To install grille core after cleaning, lift up into return air box pull forward and allow to drop gently.



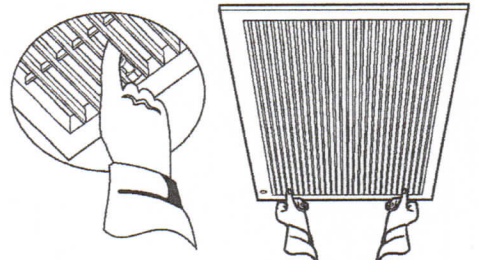
15. To ensure air flow through the filter is in the correct direction. Install the filter/s with the recess part of the filter facing down.



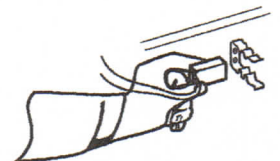
16. Slide the filter into core.

17. Push up at a slight angle until it clips into place.

18. Hinge filter up and fasten with the two latches.



19. It is very important to replace the battery every twelve months with a standard 9 volt battery (EN22 type).



No liability

Make sure you read and understand all the installation instructions before you install this Purtech Return air grille. Advantage Air (Aust) Pty Ltd does not accept any responsibility for any loss or damage that may be caused either directly or indirectly by the installation of this Purtech Return air grille.